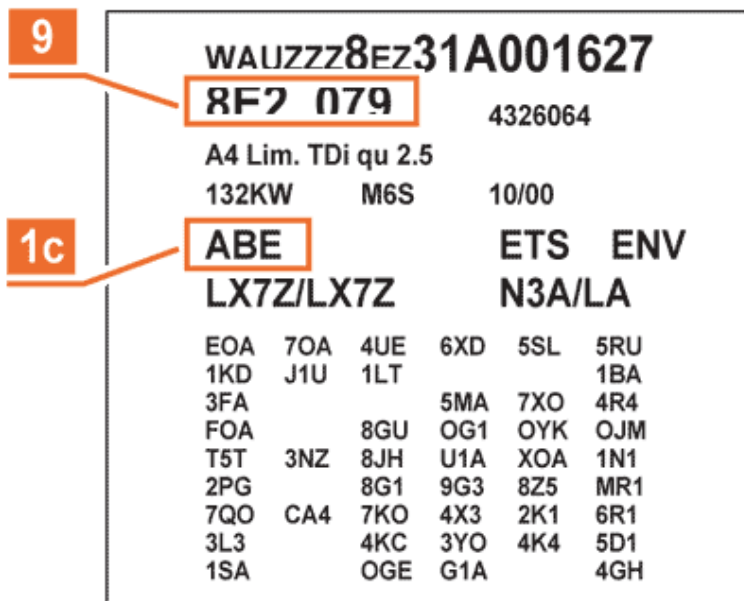


Audi

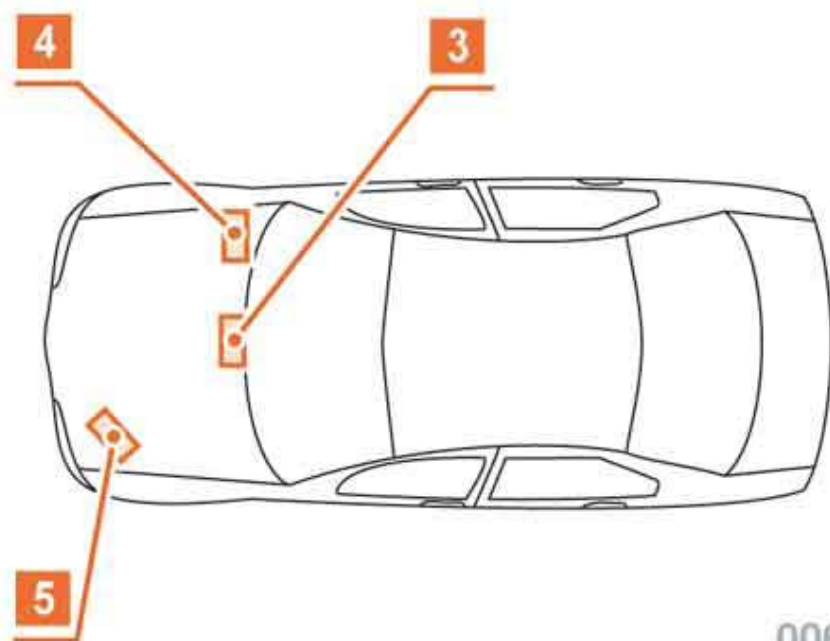
CAR MANUFACTURER PLATE



(1c) engine id code
(9) vehicle type

1169

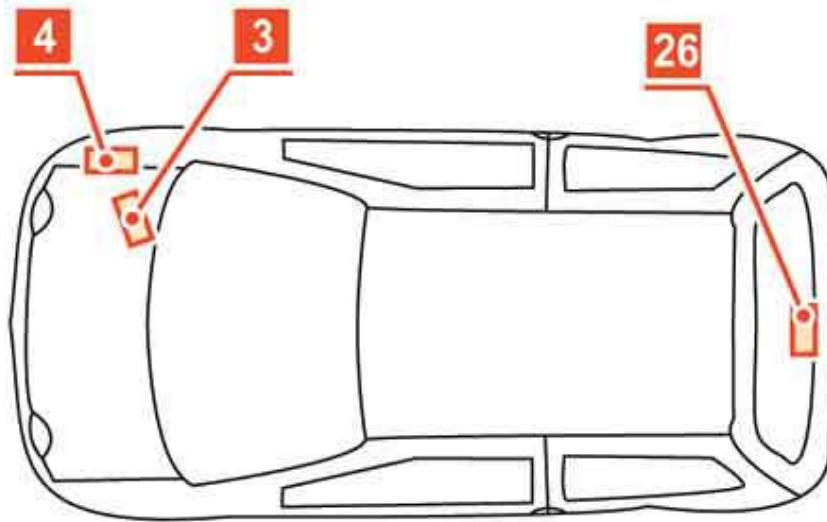
SIGHT FROM TOP



**100 (44) from
00/08/1982 to
00/10/1990**

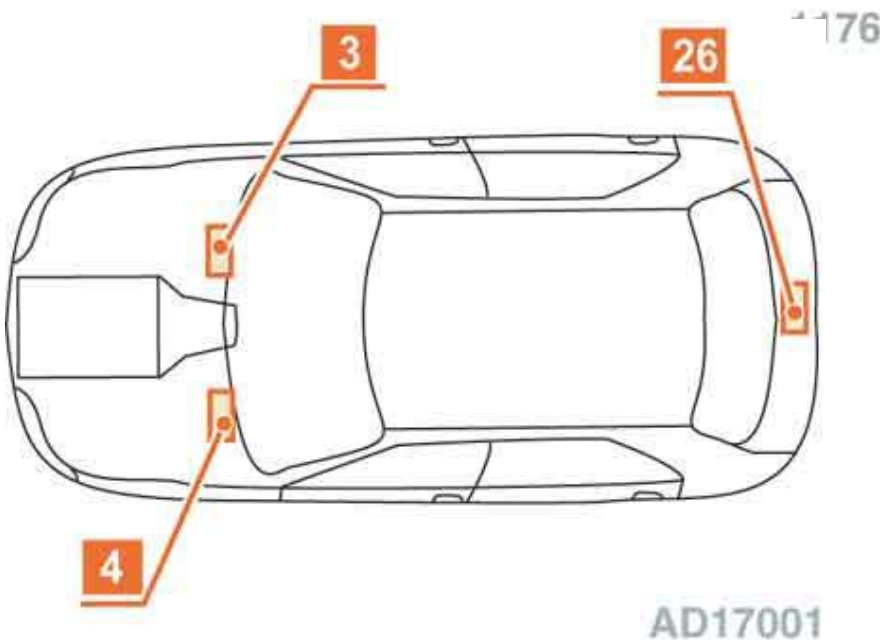
- (3) chassis number (cold stamping and V.I.N.).
- (4) car manufacturer plate.
- (5) gearbox type.
- (26) plate of the options.
- On the first page of the maintenance handbook.

0064



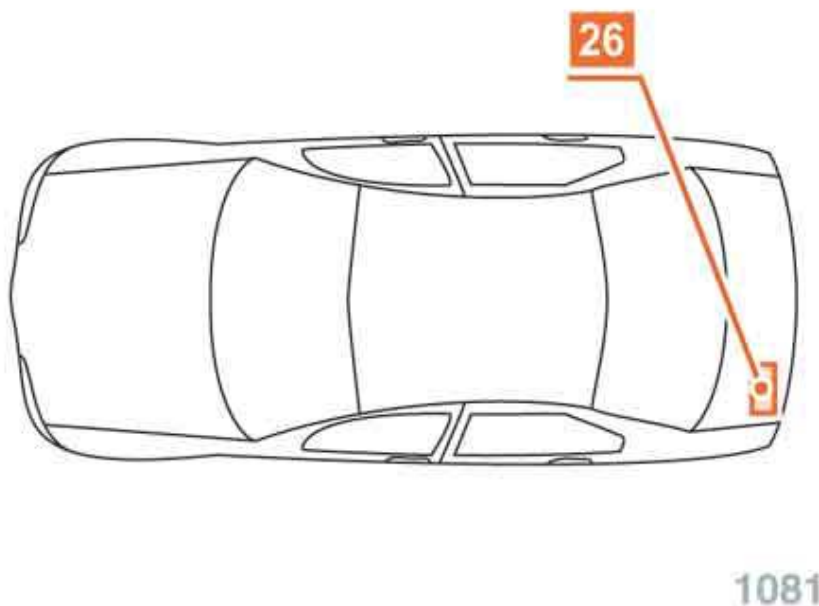
A3 (8P) since 01/04/2003

- (26) plate of the options.
- Staying on the spare wheel vat or on the floor.
 - On the first page of the maintenance handbook.
- (3) chassis number (cold stamping and V.I.N.).
- (4) car manufacturer plate.



A4 (8D2) from 01/09/1994 to 00/09/2001

- (26) plate of the options.
- Staying on the spare wheel vat or on the floor.
 - On the first page of the maintenance handbook.
- (3) chassis number (cold stamping and V.I.N.).
- (4) car manufacturer plate.



A4 (8E) from 00/11/2000 to 01/09/2004

- (26) plate of the options.
- On the first page of the maintenance handbook.

Audi

ENGINE OIL RECOMMENDATION

FEATURES

Engine oil recommendation:

- (Audi) recommends (VW).

Selection criteria:

- "Long Life" maintenance.

Except "Long Life" maintenance:

Maintenance interval (7500 km) (1) years.

Maintenance interval (15000 km) (1) years.

Date of application of the modifications (01-01-1986).

Date of application of the modifications (01-01-1994).

Date of application of the modifications (01-01-2000).

GRADE - TEMPERATURE INTERVAL

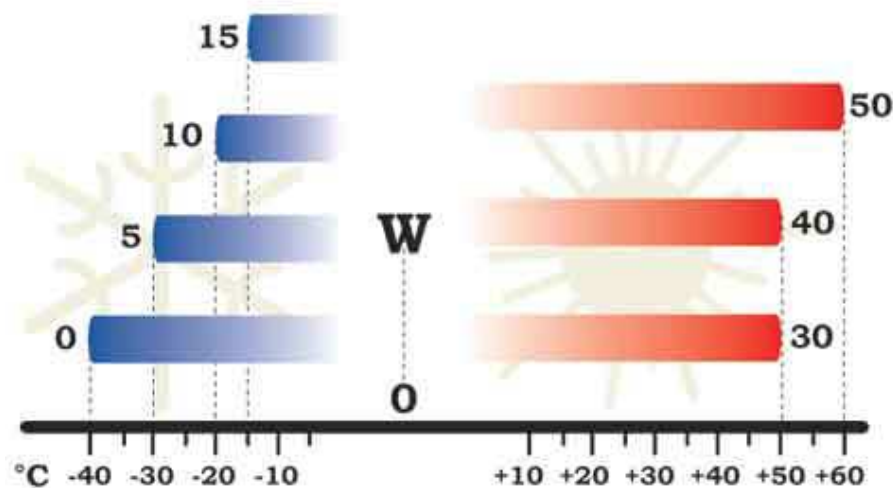
ACEA(EAMA) standard (98 -->) (2002):

The grad (10Wxx) is used from (-20°C) to (+ 40°C).

The grad (5Wxx) is used from (-25°C) to (+ 40°C).

The grad (0Wxx) is used from (-30°C) to (+ 40°C).

ALL VEHICLES TYPES



20000

"LONG LIFE" MAINTENANCE

Maintenance interval (2) years or display of 'SERVICE in xxx km' or 'SERVICE!' on the screen maintenance indicator.

- Maintenance type (QG1).

Vehicles:

Petrol engine (30000 km):

- Standard (VW 503.00).
 - ACEA(EAMA) standard (A1).
- Petrol direct injection (fSi).
- Standard (VW 504.00).
- V12 cylinders (VW) (503 01).
- Ref : (Valvoline) (SynPower) (0W40).
 - Ref : (Selenia) (DIGITECH).
- Diesel engine (50000 km):
- Standard (VW 506.00).
 - ACEA(EAMA) standard (B1).
- Diesel Pump-Injectors:
- Standard (VW 506.01).
 - ACEA(EAMA) standard (A5/B5).
- Particle filter:
- Standard (VW 507.00).

NOTA:

**Petrol engine and diesel engine.
Viscosity index (0W30) (0W40).**

WARNING:

Comply:

- **Sticker recommending the lubricant.**
- **Equivalence standard.**

Example:

All motorizations:

- Ref : **(Elf) (Evolution) (CRV).**
- Ref : **(Shell) (Helix) (Ultra X).**
- Ref : **(Mobil SHC) (Formula LD) (0w30).**
- Ref : **(Fuchs Titan SuperSyn) (LonglifePlus) (0W30).**

EXCEPT "LONG LIFE" MAINTENANCE

MAINTENANCE INTERVAL 7500 KM/ 1 YEAR

- Maintenance interval (7500 km).

Diesel engine:

- ACEA(EAMA) standard (B2).

Particular instruction (-->1994):

MAINTENANCE INTERVAL 15000 KM/ 1 YEAR

Petrol engine and diesel engine.

All vehicles types:

Standard (A1 & B1) forbidden.

Standard (A5 & B5) forbidden.

Petrol engine:

- ACEA(EAMA) standard (A3) (15W40/50).
- ACEA(EAMA) standard (A3) (10W30/40/50).
- ACEA(EAMA) standard (A3) (5W30/40/50).
- ACEA(EAMA) standard (A3) (0W30/40).

Particular instruction standard (VW).

Ref : (500 00) (502 00).

- Ref : (Elf) (Excellium) (LDX).
- Ref : (Total) (Activa) (9000).
- Ref : (Shell) (Helix Plus) (Helix Ultra).
- Ref : (Selenia) (Performer).

Petrol direct injection.

Ref : (VW 501.01) (502.00) (504.00).

Diesel engine:

- ACEA(EAMA) standard (B3) (15W40/50).
- ACEA(EAMA) standard (B3) (10W30/40/50).
- ACEA(EAMA) standard (B3) (5W30/40/50).
- ACEA(EAMA) standard (B3) (0W30/40).

Particular instruction standard (VW).

Ref : (500 00) (505 00).

- Ref : (Elf) (Excellium).
- Ref : (Shell) (Helix Plus) (Helix Ultra).
- Ref : (Total) (Quartz) (9000).
- Ref : (Selenia) (WR).
- Ref : (Mobil) (Super) (KHP).

Ref : (505.00).

- Ref : (Elf) (Turbo Diesel).
- Ref : (Total) (Activa) (7000).

WARNING:

Diesel Pump-Injectors:

Standard (VW) (505 01).

- **Ref : (Castrol) (TXT 505.01) (5W40).**
- **Ref : (Elf) (Excellium) (DID).**
- **Ref : (Mobil) (Synt S Special) (V 5W40).**
- **Ref : (Shell) (505.01).**
- **Ref : (Total) (Quartz) (505.01).**

Particle filter:

Standard (VW 507.00).

MAINTENANCE INTERVAL 15000 KM/ 1 YEAR

As supplement only.

Equivalence (ACEA98->) (API):

- Petrol engine (A2-A3) (SF-SJ).
- Petrol engine (A1-A5) (SL).
- Diesel engine (B2-B3) (CD-CE).
- Diesel engine (B1-B4) (CF).

GRADE - TEMPERATURE INTERVAL

Standard (API):

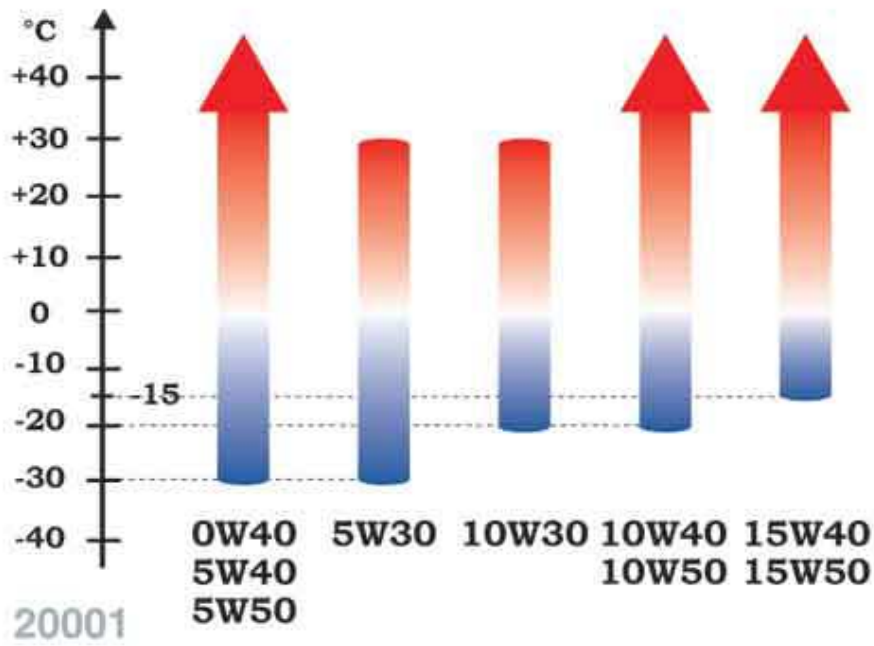
Petrol engine:

- The grad (15W40/50) is used from (-15°C) to (+40°C).
- The grad (10W40/50) is used from (-20°C) to (+40°C).
- The grad (10W30) is used from (-20°C) to (+30°C).
- The grad (5W30) is used from (-30°C) to (+30°C).
- The grad (0/5W40/50) is used from (-30°C) to (+40°C).

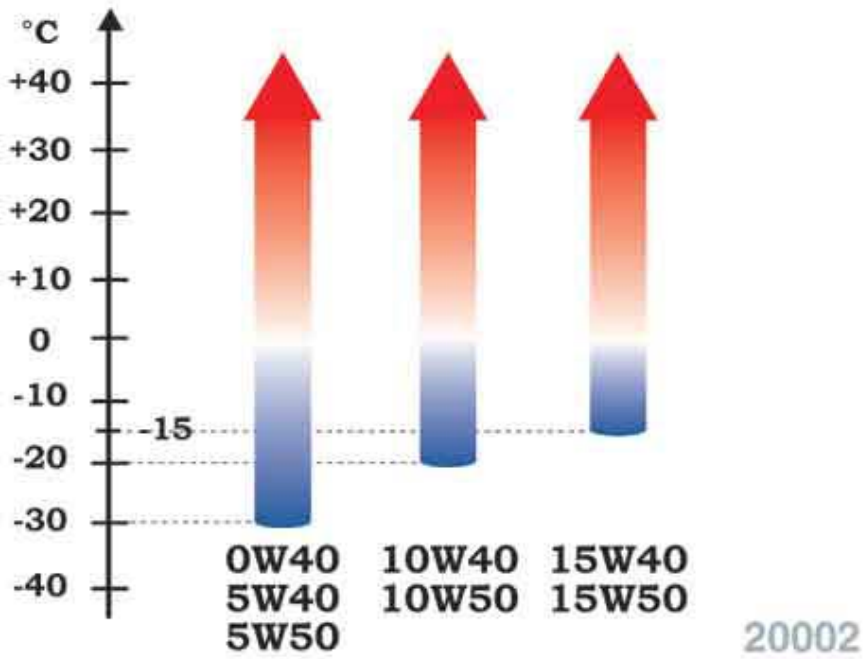
Diesel engine:

- The grad (15W40/50) is used from (-15°C) to (+40°C).
- The grad (10W40/50) is used from (-20°C) to (+40°C).
- The grad (0/5W40/50) is used from (-30°C) to (+40°C).

PETROL ENGINE



DIESEL ENGINE



Capacity Audi

100 from 01/01/1977 to 00/07/1982		
2 D		5
100 (44) from 00/08/1982 to 00/10/1990		
1.8 Engine type DS	2.5	3
1.8 Engine type NP		3
1.8 Engine type RS		3
1.8 Engine type SH		3
1.8 i Engine type DS	2.5	3
1.8 i Engine type 4B	2.5	3
1.8 i Engine type PH		3
2 i Engine type KP		4.5
2 i Engine type RT	4	4.5
2 TD		5
2.2 i	4	4.5
2.2 i Tur	4	4.5
2.3 i	4	4.5
2.4 D		5
2.5 Tdi		5
100 (4A2 / 4A5) from 00/11/1990 to 00/06/1994		
1.6 i		3.5
2 i 16V		3
2 i		3
2.2 i 20V		4.5
2.3 i		4.5
2.4 D		5
2.5 Tdi		5
2.6 i		5
2.8 i		5
4.2 i V8		7.5
200 from 01/01/1977 to 01/01/1982		
2 D		5
200 (44) from 01/01/1983 to 00/10/1990		
2.2 i	4	4.5
2.2 i 20V	4	4.5

Capacity Audi

2.2 i Tur	4	4.5
80 (81) from 00/08/1978 to 00/08/1986		
1.6 D	3	3.5
1.6 TD	3	3.5
80 (8C2/5) from 00/08/1992 to 01/01/1996		
1.6 i		3
1.9 TD		3.5
1.9 Tdi	3.8	4.3
2 i	2.5	3
115 cv 2 i	2.5	3.5
90 cv 2 i		3
2 i 16V		3
2.2 i		4.5
2.3 i		4
2.6 i		5
2.8 i		5
80 / 90 (8B2) from 00/09/1986 to 00/07/1992		
1.6 Engine type RN		3
1.6 Engine type PP	2.5	3
1.6 D	3	3.5
1.6 i		3.5
1.6 TD	4	4.5
1.8 Engine type SF		3
1.8 Engine type NE		3
1.8 Engine type RU		3.5
1.8 i Engine type JN	2.5	3
1.8 i Engine type DZ steel carter	2.5	3
1.8 i Engine type DZ aluminium carter	3	3.5
1.8 i Engine type PM		3
1.9 D	4	4.5
1.9 i		3
1.9 TD	4	4.5
2 i Engine type PS		4
2 i Engine type 3A	2.5	3

Capacity Audi

2 i Engine type AAD		3
2 i 16V		3
2 i 20V		4.5
2.2 i Engine type KV		3.5
2.2 i Engine type MB		4
2.2 i 20V		4.5
2.3 i		4
2.3 i 20V		4
A2 (8Z) from 00/03/2000 to 00/12/2005		
1.2 Tdi		4.3
1.4 i 16V		3.2
1.4 Tdi		4.2
1.6 fSi		4.5
A3 (8L) from 00/07/1996 to 00/04/2003		
1.6 i Engine type AEH	4	4.5
1.6 i Engine type AKL	4	4.5
1.6 i Engine type APF		4.5
1.6 i 16V		4.6
1.8 i 20V Engine type AGN		4.5
1.8 i 20V Engine type APG		4.6
1.8 i Tur		4.5
180 cv 1.8 i Tur Engine type APP		4.5
180 cv 1.8 i Tur Engine type AJQ		4.5
S3 1.8 i Tur Engine type BAM		4.5
150 cv 1.8 i Tur		3.9
180 cv 1.8 i Tur Engine type ARY		4.6
180 cv 1.8 i Tur Engine type AUQ		4.6
S3 1.8 i Tur Engine type APY		4.6
100 cv 1.9 Tdi Engine type ATD		4.3
130 cv 1.9 Tdi		4.3
100 cv 1.9 Tdi Engine type AXR		4.5
110 cv 1.9 Tdi Engine type ASV		4.5
110 cv 1.9 Tdi Engine type AHF	4	4.5
90 cv 1.9 Tdi Engine type AGR	4	4.5

Capacity Audi

90 cv 1.9 Tdi Engine type ALH	4	4.5
A3 (8P) since 01/04/2003		
1.6 i		4.6
1.6 fSi		3.2
1.9 Tdi		3.8
2 Tdi 16v		3.8
2 fSi		4.6
2 TfSi		4.6
3.2 i 24V		5.5
A4 (8D2) from 01/09/1994 to 00/09/2001		
1.6 i Engine type ADP		3.8
1.6 i Engine type AHL		3.8
1.6 i Engine type ANA		3.5
1.8 i Engine type ADR		3.8
1.8 i Engine type APT		4.5
1.8 i Tur Engine type AEB		3.8
1.8 i Tur Engine type APU		3.5
1.8 i Tur Engine type AWT		3.5
1.8 i Tur Engine type AJL		3.5
1.8 i Tur Engine type ANB		3.5
1.9 Tdi Engine type AVG		4.3
110 cv 1.9 Tdi		4.3
115 cv 1.9 Tdi		4.3
90 cv 1.9 Tdi Engine type AHU		4.3
1.9 Tdi Engine type AFF		3.5
1.9 Tdi Engine type AHH		3.5
1.9 Tdi Engine type AJM		4
90 cv 1.9 Tdi Engine type 1Z	3.8	4.3
2.4 i Engine type APS		5.7
2.4 i Engine type ARJ		5.7
2.4 i Engine type AML		5.7
2.4 i Engine type AMM		5.7
2.4 i Engine type APZ		5.7
2.4 i Engine type ALF		6

Capacity Audi

2.4 i Engine type AJG		6
2.4 i Engine type AGA		6
2.5 V6TDi		5.5
2.6 i		5
2.7 i Tur		6
2.8 i Engine type AAH		5
2.8 i Engine type ATX		5
2.8 i Engine type AMX		5.7
2.8 i Engine type AQD		5.7
2.8 i Engine type APR		5.7
2.8 i Engine type ALG		6
193 cv 2.8 i		5.5
A4 (8E) from 00/11/2000 to 01/09/2004		
1.6 i		3.7
1.8 i Tur		3.7
1.9 Tdi		3.6
2 i 20V		4.2
2.4 V6i 30V		5.7
150 cv 2.5 V6TDi		5.3
163 cv 2.5 V6TDi		5.3
175 cv 2.5 V6TDi		5.3
180 cv Quattro 2.5 V6TDi		5
3 V6i 30V		6.3
A4 Cabriolet (8H) since 01/05/2002		
1.8 Turbo		3.7
2.4 V6i 30V		5.7
2.5 V6TDi		5.3
3 V6i 30V		6.3
3.2 fSi		8.1
A4 P.2 (8E) since 01/06/2004		
1.6 i		3.7
1.8 i Tur		3.7
1.9 Tdi		3.6
2 fSi 20v		4.2

Capacity Audi

2.4 i 24V		5.7
150 cv 2.5 V6TDi Engine type AYM		5.3
150 cv 2.5 V6TDi Engine type BDG		5.3
180 cv 2.5 V6TDi		5
3 i 24V		6.3
3.2 V6 fSi		8.1
A6 (4A2/5) from 00/04/1994 to 00/00/1997		
1.8 i		3.8
90 cv 1.9 Tdi Engine type 1Z	3.8	4.3
90 cv 1.9 Tdi Engine type AHU		4.3
2 i		3
2 i 16V		3
2.4 i		5
2.5 Tdi		5
2.6 i		5
2.8 i		5
2.8 i 30v		5.5
A6 (4B) from 00/04/1997 to 01/09/2004		
1.8		4
150 cv 1.8 i Tur Engine type AEB		3.8
150 cv 1.8 i Tur Engine type APU		3.5
150 cv 1.8 i Tur Engine type AWT		3.5
180 cv 1.8 i Tur		3.5
110 cv 1.9 Tdi		3.8
115 cv 1.9 Tdi Engine type AFN		3.8
115 cv 1.9 Tdi Engine type AJM		3.8
130 cv 1.9 Tdi Engine type AWX		3.6
130 cv 1.9 Tdi Engine type AVF		3.6
2		4.2
136 cv 2.4 i		6
170 cv 2.4 i Engine type ALF		6
170 cv 2.4 i Engine type BDV		5.7
163 cv 2.4 Engine type AJG		6
165 cv 2.4 Engine type AGA		6

Capacity Audi

163 cv 2.4 Engine type AMM		5.7
163 cv 2.4 Engine type APZ		5.7
165 cv 2.4 Engine type APS		5.7
165 cv 2.4 Engine type ARJ		5.7
165 cv 2.4 Engine type AML		5.7
150 cv 2.5 V6TDi Engine type AFB		5.5
150 cv 2.5 V6TDi Engine type AKN		5.5
155 cv 2.5 V6TDi		5.3
163 cv 2.5 V6TDi		5.3
180 cv 2.5 V6TDi Engine type AKE		5.3
180 cv 2.5 V6TDi Engine type BDH		5
2.7 V6i 30V		6
2.8 V6i 30V Engine type ATX		5
2.8 V6i 30V Engine type APR		5.7
2.8 V6i 30V Engine type AQD		5.7
2.8 V6i 30V Engine type AMX		5.7
2.8 V6i 30V Engine type ALG		6
2.8 V6i 30V Engine type ACK		5.5
3 V6i 30V		6.3
4.2 i 40 v		7.6
A6 (4F) since 01/04/2004		
3 V6i 30V		6.3
3.2 V6 fSi		8.1
4.2 V8i 40v		8.8
A8 (4D2) from 00/05/1994 to 01/10/2002		
150 cv 2.5 V6TDi Engine type AFB		5.5
150 cv 2.5 V6TDi Engine type AKN		5.5
180 cv 2.5 V6TDi		5.3
2.8 i V6		5
2.8 V6i 30V Engine type ACK		5.5
2.8 V6i 30V Engine type APR		5.7
2.8 V6i 30V Engine type AQD		5.7
2.8 V6i 30V Engine type AMX		5.7
2.8 V6i 30V Engine type ALG		6

Capacity Audi

3.3 Tdi		6
3.7 i V8		7.5
4.2 i V8		7.5
4.2 i		7.5
6 i		10.5
A8 (4E) since 00/10/2002		
6 i		12.5
Allroad (4BH) from 01/01/2000 to 00/03/2006		
2.5 V6TDi		5.3
2.7 i V6		6
Coupé / Cabriolet (8B3/8G) from 00/08/1988 to 01/01/2001		
1.8 i		3.8
1.9 Tdi Engine type 1Z	3.8	4.3
1.9 Tdi Engine type AHU		4.3
2 i Engine type 3A	2.5	3
2 i Engine type NM		4.5
2 i Engine type ABK		3
2.2 i		3.5
2.2 i 20V		4.5
2.2 i Tur	4	4.5
2.3 i		4
2.6 i V6		5
2.8 i V6		5
S6 (4Ai) from 01/01/1991 to 01/01/1997		
2.2 i		4.5
4.2 i		7.5
TT (8N) since 00/08/1998		
150 cv 1.8 i Tur		3.9
180 cv 1.8 i Tur Engine type APP		4.5
180 cv 1.8 i Tur Engine type AJQ		4.5
225 cv 1.8 i Tur Engine type APX		4.5
225 cv 1.8 i Tur Engine type BAM		4.5
180 cv 1.8 i Tur Engine type ARY		4.6
180 cv 1.8 i Tur Engine type AUQ		4.6

Capacity Audi

3.2 i 24V		5.5
V8 (4C) from 00/10/1988 to 00/10/1993		
3.6 i		7.5
4.2 i		7.5